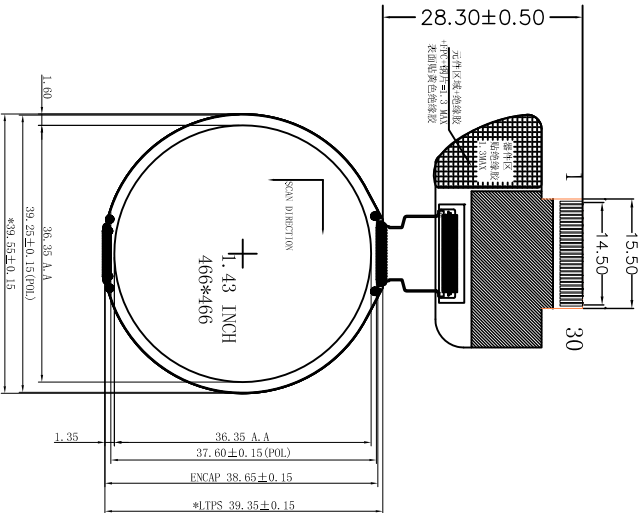


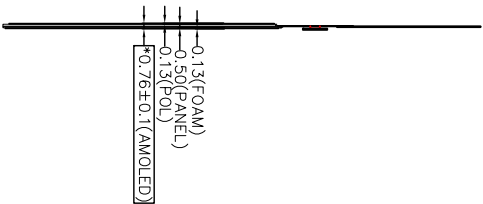
- ROHS2.0
- HALOGEN FREE
- REACH
- 其它未特别注明请以签字为准
- HSF
- OTP 全代码烧录

REV	DESCRIPTION	REVISER	DATE
V0	FIRST ISSUE	Frank	2024-11-04

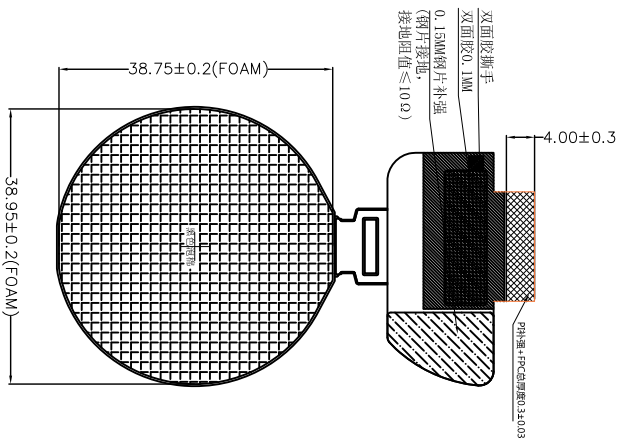
Front



Side



Back



MPI Interface

NO.	SYMBOL	Pin Assignment
1	NC	NC
2	NC	NC
3	NC	NC
4	NC	NC
5	GP10-1.8V	
6	GP10-1.8V	
7	GP10-1.8V	
8	VBAT 3.7-5V	
9	NC	NC
10	GND	
11	NC	NC
12	GND	
13	NC	NC
14	WTP	
15	GND	
16	CLAV	
17	GND	
18	CLAV	
19	GND	
20	DTP	
21	DIN	
22	GND	
23	DOP	
24	DON	
25	GND	
26	GP10-RESET-1.8V	
27	GP10-EN-1.8V	
28	10VCC 1.8V	
29	10VCC 1.8V	
30	VCI 3.3V	

Notes (AMOLED):

1. Display Type: 1.43" LTPS-AMOLED(One11)
2. Driver IC:005300AF-08 Power1G:ER5532
3. W/O 08 Luminance: 450cd/m2(TYP), 400cd/m2(MIN)
4. White (X, Y): x=0.29±0.02, y=0.31±0.02;
5. NTSO:100%5VP;
6. Viewing Direction L/R/U/D: 80/80/80/80;
7. General Tolerance: ±0.20
8. Flatness AMOLED bottom side≤0.25mm;
9. CONFORMITY WITH ROHS & HALOGEN FREE REQUIREMENT:
10. OPERATING TEMPERATURE:-20° C TO 60° C;
- STORAGE TEMPERATURE:-30° C TO 70° C;

Microtech Technology Co.Ltd.

HK Tel:85298152843 CN Tel:350989443 Http://www.microtech.com

VERSION:	MODULE DRAWING	VERSION	SCALE	UNIT
LCM NO:	MTL0143AM03A-V1	0	1:1	mm

VIEW DIRECTION	DRAW DATE
THIRD ANGLE PROJECT	2024-11-04
CHECK BY	
APPROVAL	